

**Table 3: ENT-750T Specifications**

ENTASYS	750W Autoformer
Frequency Response	See Chart Below
Insertion Loss	0.5 dB
Low Frequency Limit at Maximum Input	100 Hz
Recommended HP Filter	200 Hz, 24 dB/octave
Input Connections	Top: Barrier Strip Terminals Bottom: (1) Dual Banana Jack (female)
Enclosure	One piece aluminum extrusion with molded nylon end caps
Finish	Black or White
Mounting / Rigging	"T" Mounting bracket (included)
Dimensions H x W x D	7.67 x 5.5 x 7.36 inches (195 x 140 x 187 mm)

ENT-750T Frequency Response Chart		
Highest Power Tap		
Column Configuration**	Frequency Range	Deviation
1 FR	200 Hz - 15 kHz	+0.0 / -0.0dB
1FR+1LF or 1FR+2LF or 2FR or 2FR+1LF	200 Hz - 15 kHz	+0.25 / -0.25dB
3FR	200 Hz - 15 kHz	+0.25 / -0.5dB
Lowest Power Tap		
Column Configuration**	Frequency Range	Deviation
1 FR	200 Hz - 15 kHz	+0.25 / -1.0dB
1FR+1LF or 1FR+2LF or 2FR or 2FR+1LF	200 Hz - 7 kHz	+0.5 / -1.0dB
1FR+1LF or 1FR+2LF or 2FR or 2FR+1LF	200 Hz - 15 kHz	+0.5 / -2.0dB
3FR	200 Hz - 7 kHz	+1.0 / -1.0dB
3FR	200 Hz - 15 kHz	+1.0 / -3.0dB

\*\* Under Column Configuration, FR refers to the ENTASYS Full-Range Column (model ENT-FR) while LF refers to the ENTASYS Low Frequency Extension Column (model ENT-LF).

Community strives to improve its products on a continual basis. Specifications may therefore be subject to change without notice.



**CAUTION: Installation of loudspeakers should only be performed by trained and qualified personnel. It is strongly recommended that a licensed and certified professional structural engineer approve the mounting design.**



Community Professional Loudspeakers, 333 East Fifth Street, Chester, PA 19013 USA  
Phone (610) 876-3400 | Fax (610) 874-0190 | www.communitypro.com

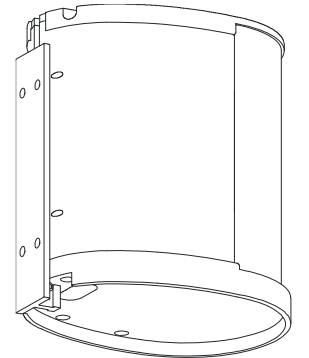


# ENT-750T

## ENTASYS 750-WATT AUTOFORMER

### 750-Watt Autoformer for Community's ENTASYS Column Line Array System

The ENTASYS 750-watt autoformer is a step down auto-transformer for use in constant voltage distribution systems. Designated the ENT-750T, it can be used to minimize the I<sup>2</sup>R losses of long cable runs by converting the distributed high voltage, low current signal to a lower voltage, higher current signal that can effectively drive the ENTASYS column loudspeakers. The ENT-750T is available in either black or white to match the color of the ENTASYS enclosure(s). A matching autoformer mounting bracket is also included.



**Table 1: ENT-750T Part Numbers**

Part No.	Description
ENT-750T	ENTASYS 750-Watt Autoformer with "T" Mounting Bracket, Black
ENT-750TW	ENTASYS 750-Watt Autoformer with "T" Mounting Bracket, White

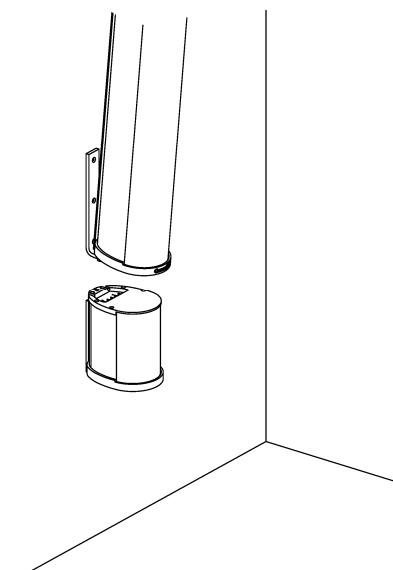
**Table 2: ENT-750T Contents**

Part	Qty
750-Watt Auformer	1
"T" Mounting Bracket for Autoformer	1
Joiner Bar	1
6mm Flat Washer	4
6 mm Lock Washer	4
M6 Hex Nuts	4
M6 x 20mm Flat Head Screw	4
Dual Banana Jumper Plug	1
Input Panel Cover	1
Rubber Recess Plug	1

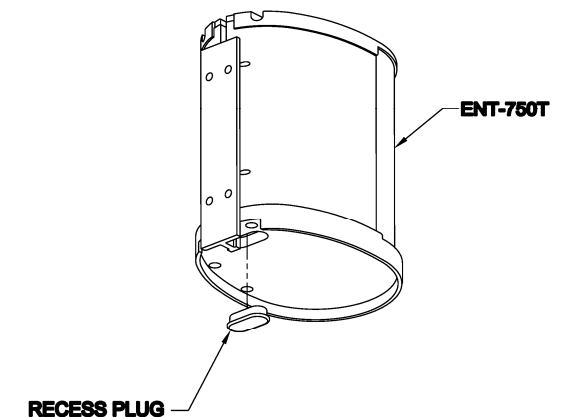
\*The installer must supply all other hardware for the installation

Included with and shipped attached to the autoformer is a mounting bracket ("T" bracket). This is similar to, but shorter than, the mounting bracket supplied with ENTASYS loudspeakers. This bracket may be used to mount the autoformer directly to a wall as shown in Figure 1. This is the only way to mount the autoformer if it is to be placed below an ENTASYS array. The autoformer may be electrically connected to the ENTASYS array using the barrier strip terminals on the top of the autoformer. When this mounting is used the included Rubber Plug should be inserted into the bottom dual banana jack recess area to seal it from moisture (Figure 2).

**Figure 1: Autoformer Mounting Below Array**

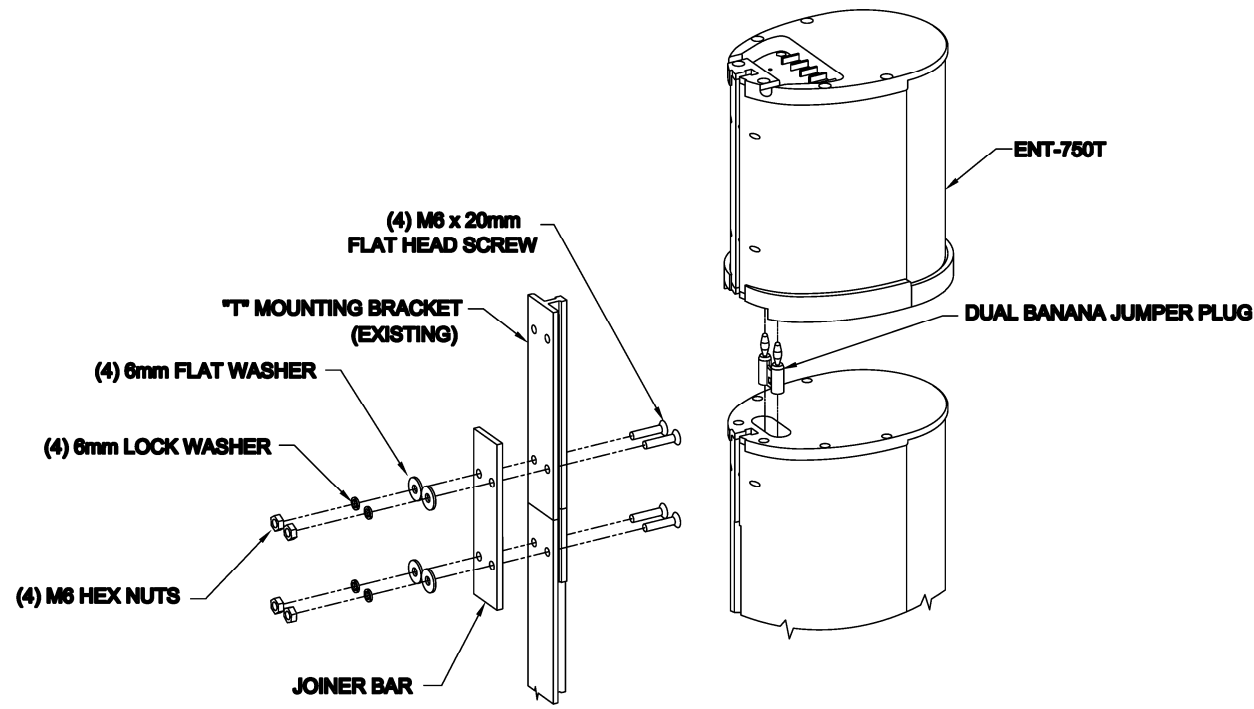


**Figure 2: Autoformer Recess Plug**



The autoformer may be mechanically attached to the top of an array using the Joiner Bar and the associated hardware that is included with the ENT-750T. This attachment method is shown in Figure 3. Mounting the autoformer in this manner allows the output of the autoformer to be routed to the input of the ENTASYS array via the dual banana jumper plug, also included with the ENT-750T.

**Figure 3: Autoformer Mounting On Top of Array**



The input wires to the autoformer are then attached to the barrier strip terminal. Note the proper terminals to which the input wires should be connected to yield the desired maximum drive level to an ENTASYS array comprised of one, two, or three columns. This information is printed on the input label of the autoformer and is shown in Figure 4. Once all of the wires are connected to the autoformer the Input Panel Cover may be attached to the autoformer. This will help protect the input connections from moisture and debris.

**WARNING:** Never attempt to attach an ENT-750T to the bottom of an ENTASYS loudspeaker. It is NOT strong enough to support the weight of the loudspeaker(s) column above it.

No hardware is provided to attach the ENTASYS column assembly and ENT-750T Bracket to the mounting surface. Such hardware must be supplied by the installer and should be sized and rated for the weight load of the enclosures. The installer is solely responsible for determining if all rigging components that are used to mount or suspend the enclosure(s) are adequately sized and rated, and if the structure they are mounted or suspended from is capable of safely supporting the aggregate weight load. If multiple enclosures are suspended, it is the installer's responsibility to insure that the combined weight load does not exceed the Working Load Limit of any one rigging fitting. This is particularly important if the enclosures are steeply angled upward or downward, as most or all of the weight may be supported by the front or rear points only.

**WARNING:** The bolts used and wall material into which the ENT-750T Autoformer assembly and ENTASYS columns are bolted must be capable of supporting the load of the Autoformer and ENTASYS array to be mounted. It is the responsibility of the installer to verify these items.

For more information on using the ENTASYS 750-Watt Autoformer, please refer to the complete ENTASYS Installation/Operation Manual enclosed with each ENTASYS column loudspeaker.

**Figure 4: ENT-750T Autoformer Input Label and Connectors**

