



SPECIFICATIONS

Loudspeaker Type:	Two-way, full-range, ceiling loudspeaker system, 16 ohm or 70V/100V operation
Operating Range:	80 Hz to 20 kHz 100 Hz to 16 kHz (±5 dB)
Max Input Ratings (16 ohm):	30W continuous, 70W program 22 volts RMS, 47 volts momentary peak
Transformer Taps (70V/100V):	Transformer taps at 30W, 15W, 7.5W, 3.75W with 70V/100V input
Recommended Power Amplifier:	60W to 80W @ 16 ohms
Sensitivity (1W/1m):	87 dB SPL (100 Hz to 16 kHz 1/3 octave bands) 85 dB SPL (250 Hz to 4 kHz speech range)
Maximum Output:	102 dB SPL / 108 dB SPL (peak 16 ohm)
Nominal Impedance:	16 ohms
Minimum Impedance:	8.4 ohms @ 2.6 kHz
Nominal -6dB Beamwidth:	145° conical
Axial Q / DI:	3.6 / 5.6, 500 Hz to 2 kHz
Crossover Frequency:	2 kHz
Recommended Signal Processing:	80 Hz high pass filter
Drivers:	LF (1) 4" cast aluminum HF (1) ¾" aluminum
Driver Protection:	None
Input Connection:	4-position Phoenix connector
Controls:	16 ohm / 70V switch
Enclosure:	Metal enclosure, white powder-coat paint
Mounting/Rigging Provisions:	3 seismic clips 3 aluminum mounting dogs
Grille:	18-gauge perforated steel with removable fire retardant foam insert
Required Accessories:	Electronic high pass filter
Supplied Accessories:	Loudspeaker grille, input plate, plug-in termination connector, T-bars (2), split ring support, paint protector
Optional Accessories:	MRC4 mud ring (rough in plate) C4IP input cover plate CU-CUTTER speed saw / circle cutter
Dimensions—Height:	7.8 inches (198 mm)
Width:	6.9 inches (201 mm)
Depth:	6.9 inches (201 mm)
Cutout Diameter:	7 inches
Weight:	6.45 lbs (2.9 kg) - per single loudspeaker
Shipping Weight:	20 lbs (9.1 kg) - per pair



Shown: CLOUD4 with grille removed

APPLICATIONS

- Convention centers, exhibit halls
- Corporate training rooms, ballrooms
- Swimming pools, cruise ships
- Athletic venues, sports facilities, health clubs
- Houses of worship, malls, airports

FEATURES

- All metallic enclosures (no plastic)
- Aluminum cones and diaphragms
- Selectable 70V / 16 ohm operation
- Transformer bypass
- Fast and easy installation
- Air Gap Technology (AGT)
- Smooth, uniform frequency response
- Five-year warranty

DESCRIPTION

Designed for optimum performance and consistent coverage with minimal diameter, the CLOUD4 uses a coaxial drive unit design and bass-reflex loading. A 4" cast aluminum frame mid/bass unit is coupled to a ¾" aluminum HF unit via a high-grade crossover. The CLOUD4 employs Air Gap Technology (AGT) cooling for increased long-term high output and reduced power compression. It has a nominal dispersion of 145 degrees conical and the integral 30W 70V/100V line transformer offers four taps and a bypass setting for low impedance (16 ohm) applications.

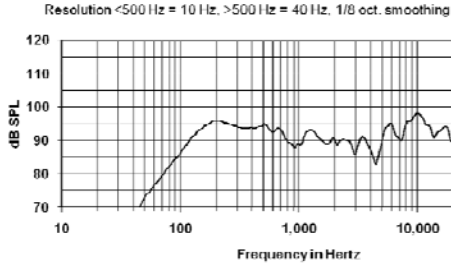
Unlike typical plastic ceiling loudspeaker designs, Community has opted for a robust all-metal construction, including the backcan, mounting clamps, bezel and grille. Wiring terminations are enclosed in a separate rear compartment with cover plate, provided with a phoenix termination and cable restraint. Flush mounting is simple and the entire installation can be performed from below the ceiling. Using the split-ring provided, the loudspeaker is simply pushed up into the mounting hole and secured with three machine screws located under the grille, which secure the die cast aluminum clamps. When flush mounting is not an option, each loudspeaker also has three hanging points for flying, in which event the white powder-coated backcan aesthetically matches the bezel and grille.

CLOUD4 ceiling loudspeakers are supplied in pairs, complete with two input plates, two input connectors, four T-bars, two split-ring supports and two paint protectors.

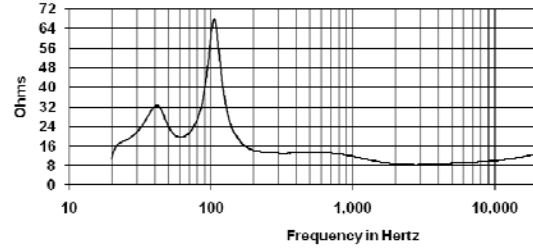
NOTES:

1. Sensitivity: Free field pink noise measurement at 8 ft (2.4 m) at 25% power; extrapolated to 1 meter and an input of 4 volts RMS.
2. Watts: All wattage figures are calculated using the rated nominal impedance.

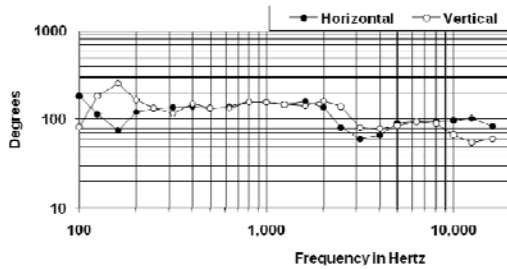
FREQUENCY RESPONSE



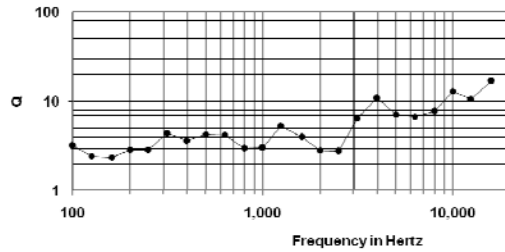
IMPEDANCE



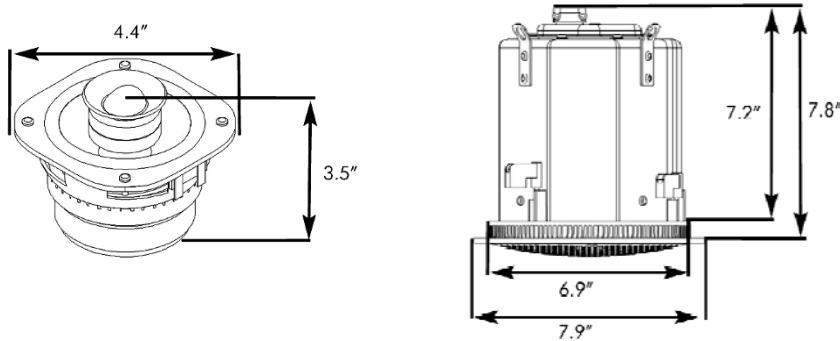
BEAMWIDTH



AXIAL Q



DIMENSIONS



Shown: CLOUD4 complete with grille and backcan

Note: Cutout diameter is 7 inches

ACCESSORIES



Input Cover Plate
C4IP
(sold separately)



Circle Cutter
CU-CUTTER
(sold separately)



Mud Ring Rough-In Plate
MRC4
(sold separately)



T-Bars with Split
Ring Support
(included)

Community strives to improve its products on a continual basis. Specifications are therefore subject to change without notice.