



Application Solutions

R.25-94TZ

TWO-WAY, FULL-RANGE, 200W (70/100V)
WEATHER-RESISTANT LOUDSPEAKER

SPECIFICATIONS

Loudspeaker Type:	2-way, horn loaded, coaxial, weather-resistant
Operating Range:	100 Hz to 16 kHz 160 Hz to 13 kHz (± 3 dB)
Max Input Ratings:	200W, 70V/100V
Recommended Power Amplifier:	25W to 200W @ 70V 50W to 200W @ 100V
Sensitivity (1W/1m):	96 dB SPL (160 Hz to 10 kHz 1/3 octave bands) 96 dB SPL (250 Hz to 4 kHz speech range)
Maximum Output on 200W Tap:	119 dB SPL
200W Nominal Impedance:	25 ohms
200W Minimum Impedance:	16.2 ohms @ 9 kHz
Nominal -6dB Beamwidth:	90°H (+7° / -13°, 2 kHz to 10 kHz) 40°V (+35° / -10°, 2 kHz to 10 kHz)
Axial Q / DI:	13.5 / 11.3, 2 kHz to 10 kHz
Crossover Frequency:	2 kHz
Recommended Signal Processing:	100 Hz high pass filter
Drivers:	LF (1) 8" cast frame, Cool-Coil™ HF (1) 3/4" exit, titanium free, Ferrofluid-cooled
Driver Protection:	DYNA-TECH protection circuitry
Input Connection:	16-2 SJOW (12 ft / 4 m)
Controls:	4 position autoformer TAP select switch 70V switchable taps @ 200W, 100W, 50W, 25W 100V switchable taps @ 200W, 100W, 50W
Enclosure:	Rotomolded LLDPE, light grey
Mounting/Rigging Provisions:	(5) rigging points (M8 hardware) 1-3/8" pole mount socket
Grille:	3-layer WeatherStop™, light grey (Zinc-rich epoxy dual-layer powder coated perforated steel grille, foam, woven poly mesh)
Environmental Performance:	IEC529 IP55W rating with a minimum 5-degree downward aiming angle
Required Accessories:	24 dB/Oct high pass filter
Supplied Accessories:	(1) Yoke bracket, light grey (1) Aiming strap
Optional Accessories:	PMB Series pole mount brackets
Dimensions—Height:	11.3 inches / 287 mm
Width:	11.3 inches / 287 mm
Depth:	13.3 inches / 338 mm
Weight:	23 lbs / 10.4 kg
Shipping Weight:	29.1 lbs / 13.2 kg



Shown: R.25-94TZ in standard light grey

APPLICATIONS

- Convention centers
- Fill speaker for stadia, athletic fields, arenas and race tracks
- Outdoor background music / paging systems
- Theme and amusement parks
- Fairgrounds and rodeos
- Malls, cruise ships, skating rinks
- Swimming pools

FEATURES

- Weather-resistant, rotomolded UV enclosure
- Weather-treated drivers and crossovers
- Corrosion-resistant zinc-rich epoxy dual-layer powder coated steel grille and yoke
- High fidelity, all horn loaded
- Multi-tap 200W autoformer for 70V and 100V inputs
- Integral mounting points
- Optional black and white versions (model R.25-94BTZ and R.25-94WTZ)
- High power passive crossover
- Five-year product warranty / Fifteen-year enclosure warranty

DESCRIPTION

The R.25-94TZ is a 2-way, full-range loudspeaker system designed to provide high quality voice and music reproduction in applications requiring extreme weather resistance. It is designed to withstand long-term exposure to tough, environmental conditions and to provide performance normally associated only with indoor loudspeakers. The R.25-94TZ has an 8-inch (203mm) cone LF driver and a 3/4-inch (20 mm) exit HF compression driver with a weather resistant diaphragm. The HF driver is coupled to a nominal 90° x 40° horn. The HF assembly is coaxially mounted with the LF driver. An input autoformer with switchable taps provides impedance matching to 70V or 100V lines.

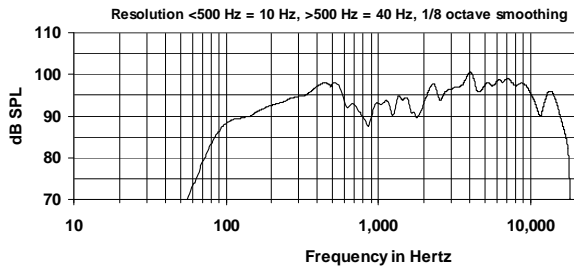
R.25-94TZ OPTIONS

"BTZ" suffix	Black version with black enclosure, black powder coated grille and black yoke; integral 200W autoformer for 70V/100V applications
"WTZ" suffix	White version with white enclosure, white powder coated grille and white yoke; integral 200W autoformer for 70V/100V applications

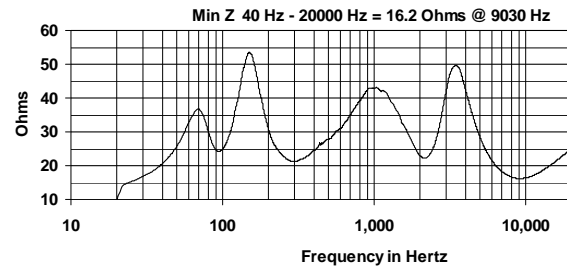
NOTES:

1. Sensitivity: Free field pink noise measurement at 20 ft (6.1 m) at 60% power; extrapolated to 1 meter and an input of 2.83 volts RMS.
2. Watts: All wattage figures are calculated using the rated nominal impedance.

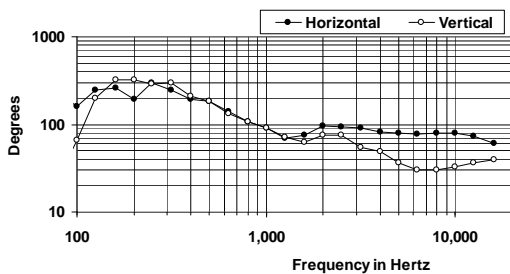
FREQUENCY RESPONSE



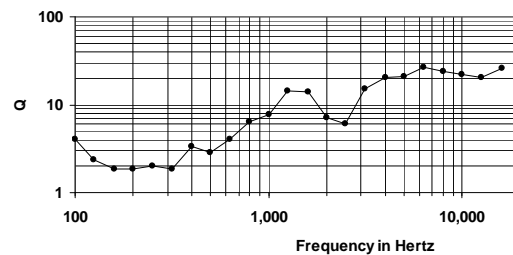
200W IMPEDANCE



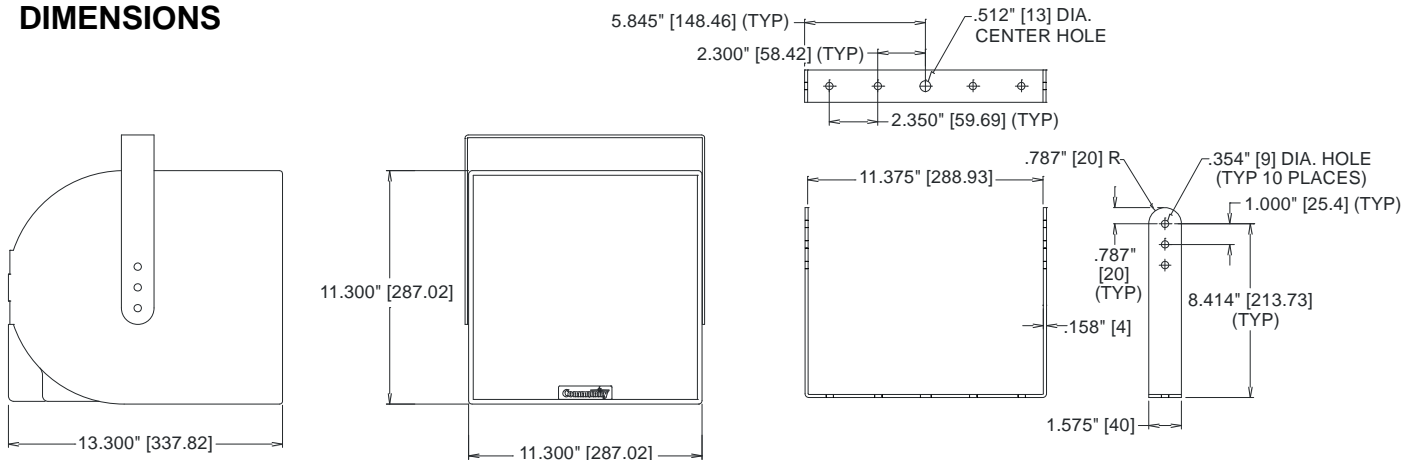
BEAMWIDTH



AXIAL Q



DIMENSIONS



R.25 YOKE

ARCHITECTURAL SPECIFICATIONS

The loudspeaker system shall be a two-way, full-range bass reflex design with a single cast 8" and one 3/4" exit HF driver coaxially mounted on a 90° x 40° horn. Drivers shall be connected to an integral crossover with a crossover frequency of 2 kHz with driver protection using DYNA-TECH active protection circuitry. The cabinet shall be a rotomolded low linear density polyethylene enclosure providing weather and UV resistance with a three-layer weather resistant grille. The steel grille shall be powder coated with a proprietary zinc-rich epoxy dual-layer powder coating process in light grey to color match the enclosure. The system shall have an IEC529 IP rating of IP55W with a minimum 5-degree downward aiming angle. The input connection shall be one 12' (4m) SJOW #16-gauge cable with stripped ends. The enclosure shall incorporate five M8 rigging points for multiple mounting options. In addition, the loudspeaker will be supplied with one zinc-rich epoxy dual-layer powder coated steel yoke bracket and one multi-tap autoformer for 70V and 100V inputs. The system shall have an amplitude response of 160 Hz - 13 kHz (+/- 3 dB), input capability of 200W (70V/100V), 96 dB Sensitivity at one meter and 2.83V between 250 Hz to 4 kHz at a nominal 8 Ohm impedance. The nominal dispersion shall be 90° H x 40° V from 2 kHz to 10 kHz. The dimensions of the enclosure are defined as 11.3" x 11.3" x 13.3" (HWD) at a weight of 23 lbs.

Community strives to improve its products on a continual basis. Specifications are therefore subject to change without notice.