



SPECIFICATIONS

Loudspeaker Type:	Compact subwoofer
Operating Range:	35 Hz to 200 Hz 43 Hz to 160 Hz (± 2 dB) processed
Max Input Ratings:	300W continuous, 750W program, 4 ohms 35 volts RMS, 77 volts momentary peak
Recommended Power Amplifier:	630W to 900W @ 4 ohms
Sensitivity (1W/1m):	97 dB SPL (50 Hz to 160 Hz 1/3 octave bands)
Maximum Output:	122 dB SPL / 129 dB SPL (peak)
Nominal Impedance:	4 ohms
Minimum Impedance:	4.1 ohms @ 90 Hz
Nominal -6dB Beamwidth:	360° H x 180° V
Axial Q / DI:	1/0, 50 Hz to 160 Hz
Recommended Signal Processing:	35 Hz high pass filter, 48 dB/Oct
Drivers:	LF (2) 12"
Driver Protection:	DYNA-TECH™
Input Connection:	Install Version - (1) NL4-compatible locking connector (1) 2 conductor barrier strip Portable Version - (2) NL4-compatible locking connector (2) 1/4" jack with high-pass output switch
Enclosure:	11-ply cross-laminated birch
Finish:	Black or white paint finish
Mounting/Rigging Provisions:	Install Version - (12) M10 hang points Portable Version - (8) M10 hang points
Required Accessories:	Digital speaker processor
Optional Accessories:	VLF-SAB steered array bracket
Dimensions—Height:	20 inches (508 mm)
Width:	21.75 inches (552 mm)
Depth:	20 inches (508 mm)
Weight:	88 lbs (39.9 kg)

NOTES:

- Sensitivity: Half-space pink noise measurement at 4 ft (1.2 m) at 25% power; extrapolated to 1 meter and an input of 2 volts RMS.
- Watts: All wattage figures are calculated using the rated nominal impedance.



Shown: VLF212I

APPLICATIONS

- Houses of worship
- Performing arts centers
- Theaters, lecture halls, auditoria
- Restaurants
- The "cafegymnasium"
- Portable bass reinforcement

FEATURES

- Low profile design, small footprint
- Designed to work as a traditional subwoofer or in steered bass arrays
- DYNA-TECH™ protection circuitry
- Under-stage and other "hidden" LF applications
- Optional steered array brackets for array configurations
- Available in black or white finishes
- Optional portable version ("P" suffix) with Ergo-Grip handles, pole mount socket, rubber feet and eight fly points
- Five-year warranty

DESCRIPTION

The VLF212 is a compact dual 12-inch subwoofer system with a no-grille design and slot-loaded woofers for extended low frequency response down to 50 Hz in passive mode or 43 Hz using DSP. The standard install version comes equipped with twelve generous fly points for creating steered subwoofer arrays.

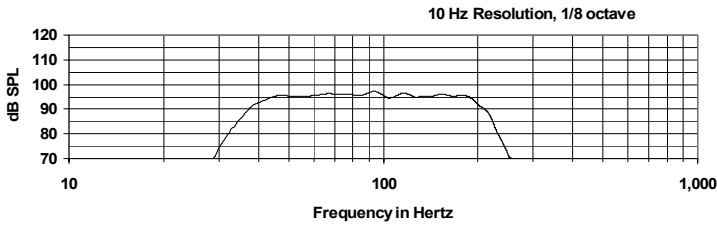
The VLF212 is available in an optional portable version which comes equipped with two Ergo-Grip handles, a top-mounted pole socket, and rubber feet. The portable enclosures incorporate eight fly points, dual NL4-compatible connectors and dual 1/4" jacks with a high-pass output switch for running the subwoofer and a full-range cabinet from one single amp channel.

The VLF212 is a powerful and innovative low frequency subwoofer that when arrayed is effective in reducing unwanted reflections in theatres, restaurants, auditoria, houses of worship, schools and other applications, fitting comfortably into areas where larger subwoofers are impractical.

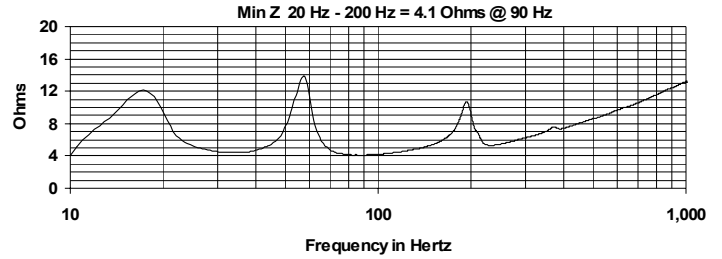


VLF212 OPTIONS	
"B" suffix	Black paint finish with black hardware
"W" suffix	White paint finish with white hardware
"I" suffix	Install version with twelve M10 hang points
"P" suffix	Portable version with built-in handles, rubber feet, pole mount socket and eight M10 hang points.
"A" suffix	Amplified (powered) version with integrated 1000 watt amplifier

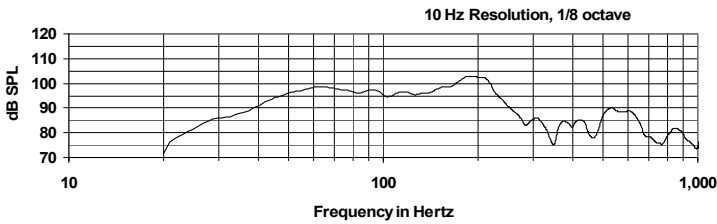
Frequency Response: Processed



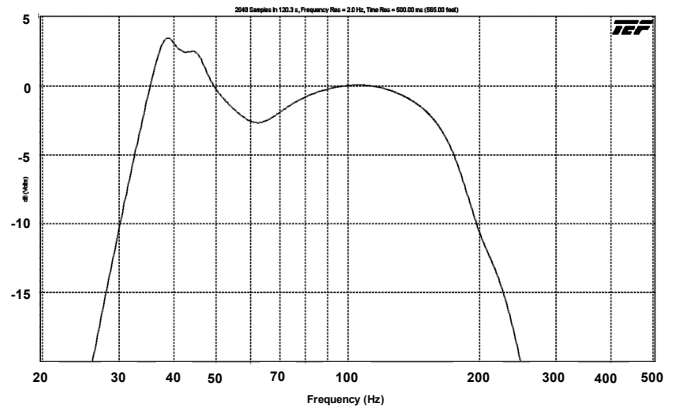
Impedance



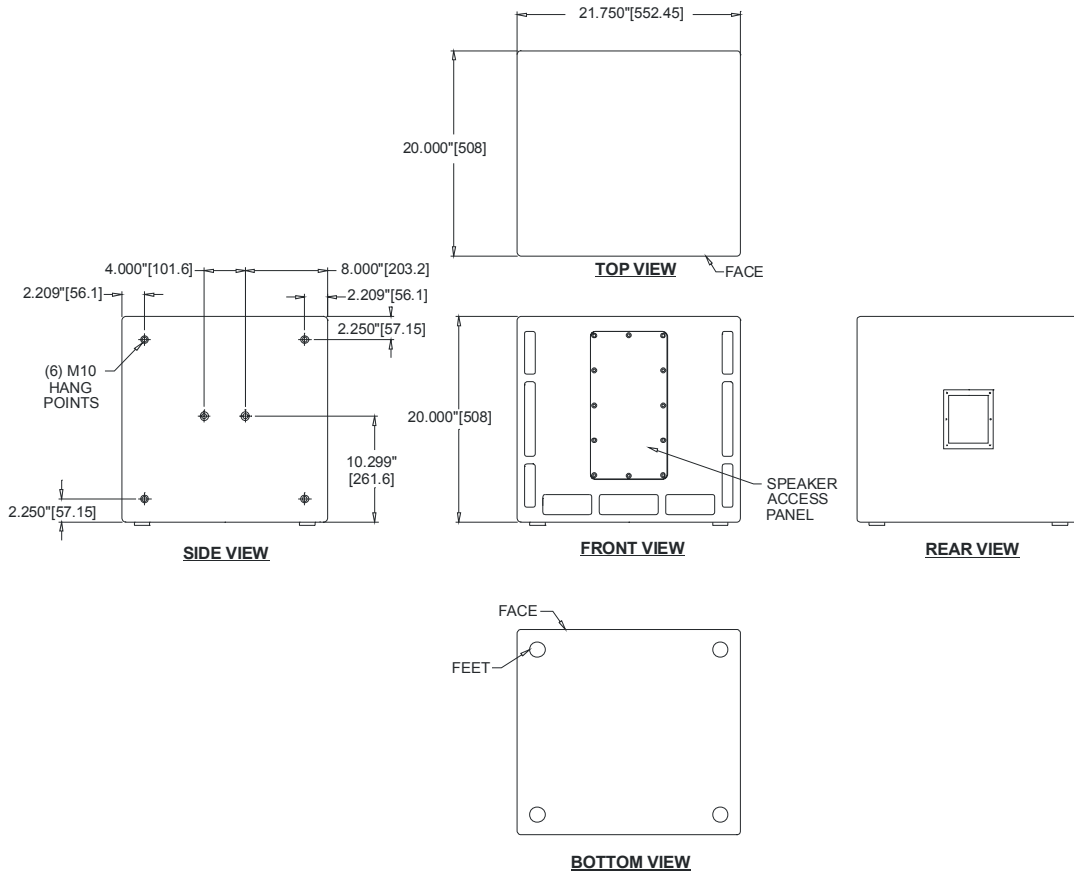
Frequency Response: Unprocessed



Frequency Response: Digital Signal Processor



DIMENSIONS



Community strives to improve its products on a continual basis. Specifications are therefore subject to change without notice.

VLF212 - Portable Option



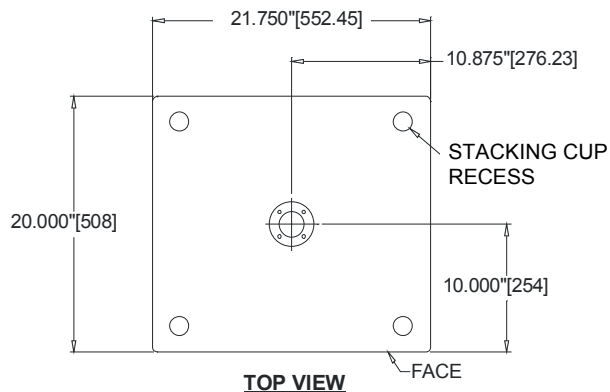
Portable VLF212 models include:

- Built-in Ergo-Grip handles
- Rubber feet
- Pole mount socket
- Eight M10 hang points
- Two NL4-compatible locking connectors
- Two 1/4" input jacks.

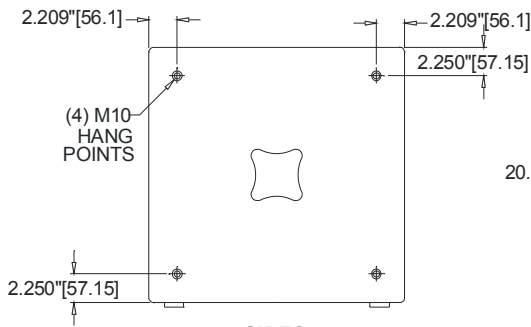
Order Model VLF212P.



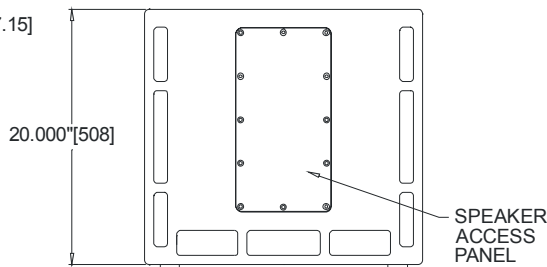
VLF212P



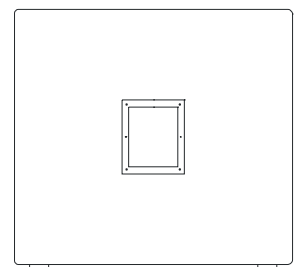
TOP VIEW



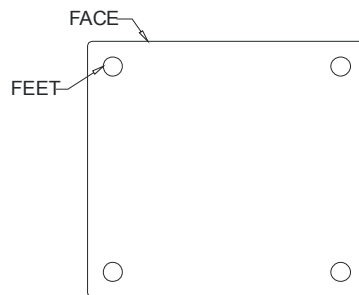
SIDES



FRONT VIEW



BACK VIEW



BOTTOM VIEW