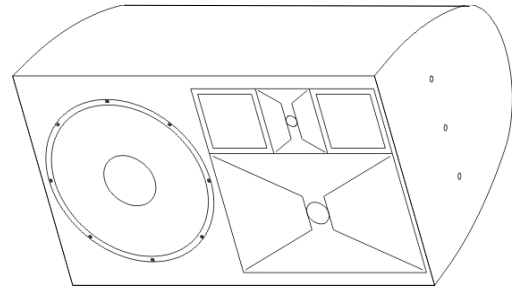




# W2-315-94H

WET SERIES II FULL-RANGE  
3-WAY, 15-INCH



## Description

The W2-315-94H is a large format single 15-inch three-way loudspeaker system engineered for use in permanent installations requiring extreme weather-resistance.

The HF driver uses a Community proprietary 1" exit, non-metallic diaphragm and a proprietary 2" exit MF driver with an environmentally inert diaphragm. The 15" LF driver utilizes a molded cone of carbon fiber. Ferrofluid fills the voice coil gaps to prevent gap corrosion as well as to improve thermal power handling and reduce power compression.

The W2-315-94H may be custom ordered with its 90 x 40 degree horn rotated 90 degrees axially. Power handling is 200W RMS, 500W program. Community's precision passive frequency dividing networks minimize band overlap through the use of high order filters which maintain linear phase response characteristics.

The loudspeaker enclosure and faceplate are constructed of multi-layer glass composite, providing extreme structural strength. A three-layer Weather-Stop™ grille provides weather-resistance to the internal components, while all exposed hardware is stainless steel or powder-coated aluminum extrusion. Six 1/2-13 mounting points are included.

The W2-315-94H is backed by a five-year product warranty plus a fifteen-year enclosure warranty.

## Applications

- Stadium Fascia
- Public Address
- Theme and Amusement Parks
- Outdoor Entertainment Centers
- Cruise Ships
- Stadium Fill
- Music Pavilions
- Musical Fountains
- Water Parks

## Features

**All-Weather, Multilayer Glass Composite Enclosure**

**Stainless Steel Hardware**

**Integral Mounting Points**

**High Power Passive Crossover or Bi-amp Crossover with Passive MF/HF**

**Dual-layer Powder Coated Weather-Resistant Stainless Steel Grille**

**Ferrofluid-Cooling**

**Available in Black or White Finishes**

## SYSTEM

**Format:** Three-way, full-range

**Operating Range:** 60 Hz - 18 kHz

**Frequency Response:** 70 Hz - 15 kHz ( $\pm 3.5$  dB)

**Dispersion (-6 dB):** 90° H x 40° V

**Maximum SPL @ 1m:** 122 dB continuous / 129 dB peak

**Crossover Frequency:** 600 Hz / 3.5 kHz

**Sensitivity in SPL (1W/1m, free space)**  
99 dB (100 Hz - 13 kHz, 1/3 octave)  
100 dB (250 Hz - 4 kHz, speech range)

**Max Power Handling:** 200W RMS, 500W Program

**Impedance:** Nominal 4 $\Omega$  / Min. 2.8 $\Omega$  at 4.5 kHz

## TRANSDUCERS

**Low Frequency:** 1 x 15" (381 mm)

**Mid-Frequency:** 1 x M200

**High Frequency:** 1 x VHF100

## MECHANICAL

**Enclosure:** Hand-laminated fiberglass

**Finish:** Black or white gelcoat

**Rigging Provisions:** Six 1/2-13 rigging points

**Input Connection:** 16-2 SJOW (12 ft / 4m)

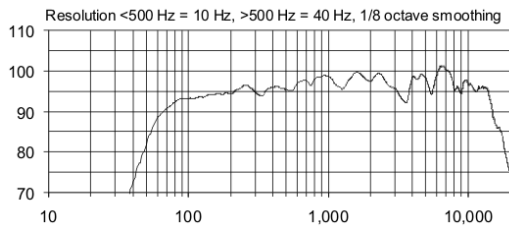
**Grille:** Three-layer Weather-Stop™

**Dimensions:** 19.38" (492 mm) x 33.63" (854 mm) x 21" (533 mm)  
**H x W x D**

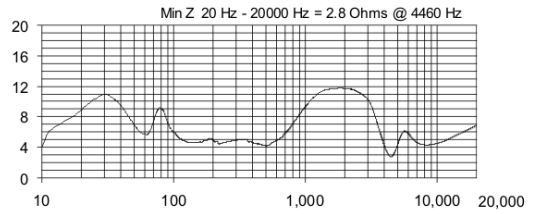
**Net Weight:** 89.8 lbs (40.7 kg)

Recommended signal processing available upon request.

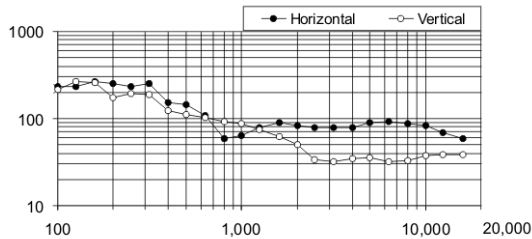
## FREQUENCY RESPONSE



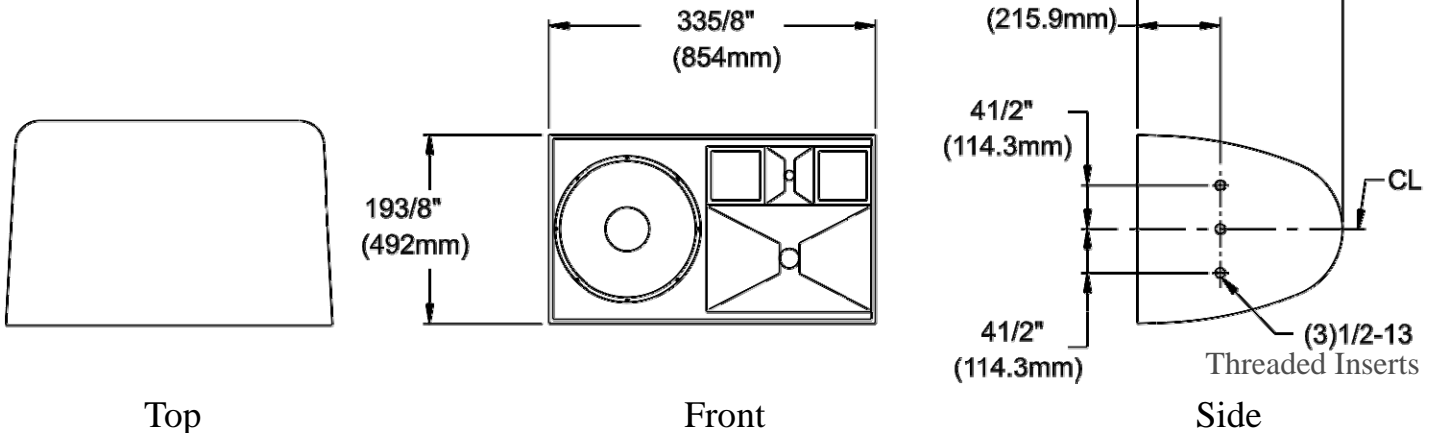
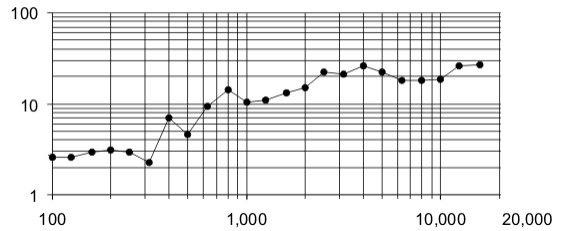
## IMPEDANCE



## BEAMWIDTH



## AXIAL Q



### Architects' and Engineers' Specifications

The loudspeaker shall be a three-way, weather-resistant design with one 15-inch carbon fiber cone LF, one 2-inch exit low compression non-metallic diaphragm midrange driver and a 1-inch exit non-metallic diaphragm HF driver. The drivers shall be mounted on a one-piece fiberglass composite baffle. The crossover frequency shall be 600 Hz / 3 kHz. The crossover shall use high quality 250V film capacitors and low ESR inductors. The one-piece loudspeaker enclosure shall be constructed of hand-laminated fiberglass composite with six integral 1/2-13 threaded mounting points. The system shall meet the following performance criteria: Amplitude response of 70 Hz to 15 kHz ( $\pm 3.5$  dB), 200 watts RMS power handling, 99 dB SPL sensitivity at 1 meter with 1 watt applied. The nominal system impedance shall be 4 ohms. Nominal horn coverage pattern shall be 90° H x 40° V. Dimensions shall be 19.38 in. (492.3 mm) high, 33.63 in. (854.2mm) wide, 21 in. (533.4 mm) deep with a weight of 89.8 lb (40.7 kg).

*Community strives to improve its products on a continual basis. Specifications are therefore subject to change without notice.*