



Description

The W2-322L-94H is a high output, three-way bi-amplified loudspeaker system designed to provide high quality music, voice reproduction, and projection in applications requiring the ultimate in extreme weather-resistance.

Community's precision passive frequency dividing networks minimize band overlap through the use of high order filters which maintain linear phase response characteristics

The HF driver uses a Community proprietary 1" exit, non-metallic diaphragm and a proprietary 2.8" exit MF driver with an environmentally inert carbon fiber diaphragm. Two 12" LF drivers utilize carbon fiber cones. Ferrofluid fills the MF and HF voice coil gaps to prevent corrosion, as well as to improve thermal power handling and reduce power compression. .

Engineered for use in permanent installations, the loudspeaker enclosure and faceplate are constructed of multilayer glass composite, providing extreme structural strength. A three-layer Weather-Stop™ grille provides weather resistance to the internal components, while all exposed hardware is stainless steel or powder-coated aluminum extrusion. The W2-322L-94H includes six integral 1/2-13 mounting points, three on each side of the enclosure, to facilitate installation.

The W2-322L-94H is backed by a five-year product warranty plus a fifteen-year enclosure warranty.

Applications

- Stadium Upper Canopy Fill
- Theme and Amusement Parks
- Outdoor Entertainment Centers
- Cruise Ships
- Water Parks
- Music Pavilions
- Musical Fountains

Features

All-Weather, Multilayer Glass Composite Enclosure

Stainless Steel Hardware

Integral Mounting Points

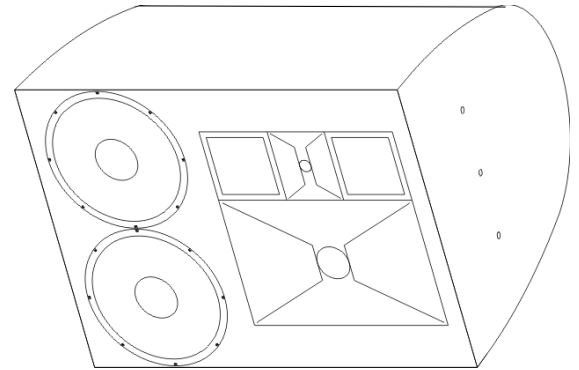
Ferrofluid-Cooling

Dual-layer Powder Coated Weather-Resistant Stainless Steel Grille

Available in Black or White Finishes

W2-322L-94H

WET SERIES II FULL-RANGE 3-WAY, DUAL 12-INCH



SYSTEM

Format: Three-way, full-range, bi-amplified

Operating Range: 50 Hz - 18 kHz

Frequency Response: 70 Hz - 15kHz (±3 dB)

Dispersion (-6 dB): 90° H x 40° V

Maximum SPL @ 1m: 127 dB continuous / 134 dB peak

Crossover Frequency: 600 Hz / 3 kHz

Sensitivity in SPL: (1W/1m, free space) LF: 101 dB (80 Hz - 630 Hz, 1/3 octave)
MF/HF: 101 dB (600 Hz - 12.5 kHz, 1/3 octave)
101 dB (250 Hz - 4 kHz, speech range)

Max Power Handling: LF: 400W RMS / 1000 Program
MF/HF: 160W RMS / 400W Program

Impedance: LF: Nominal 4Ω
MF/HF: Nominal 4Ω

TRANSDUCERS

Low Frequency: 2 x 12" (304.8 mm)

Mid-Frequency: 1 x EM280

High Frequency: 1 x VHF100

MECHANICAL

Enclosure: Hand-laminated fiberglass

Finish: Black or white gelcoat

Rigging Provisions: Six 1/2-13 rigging points

Input Connection: 16-2 SJOW (12 ft / 4m)

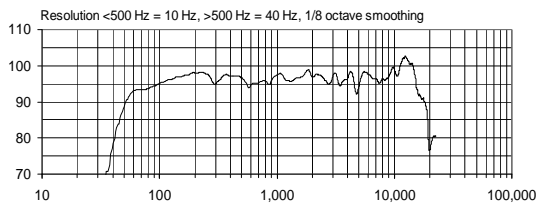
Grille: Three-layer Weather-Stop™

Dimensions: 24.38" (619 mm) x 33.63" (854 mm) x 24.25" (616 mm)
H x W x D

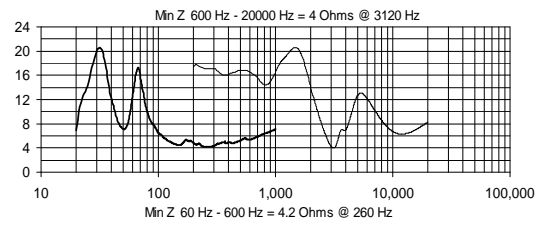
Net Weight: 108.1 lbs (49 kg)

Recommended signal processing available upon request.

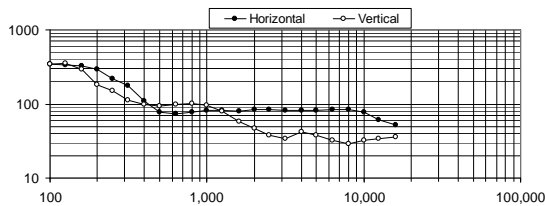
FREQUENCY RESPONSE



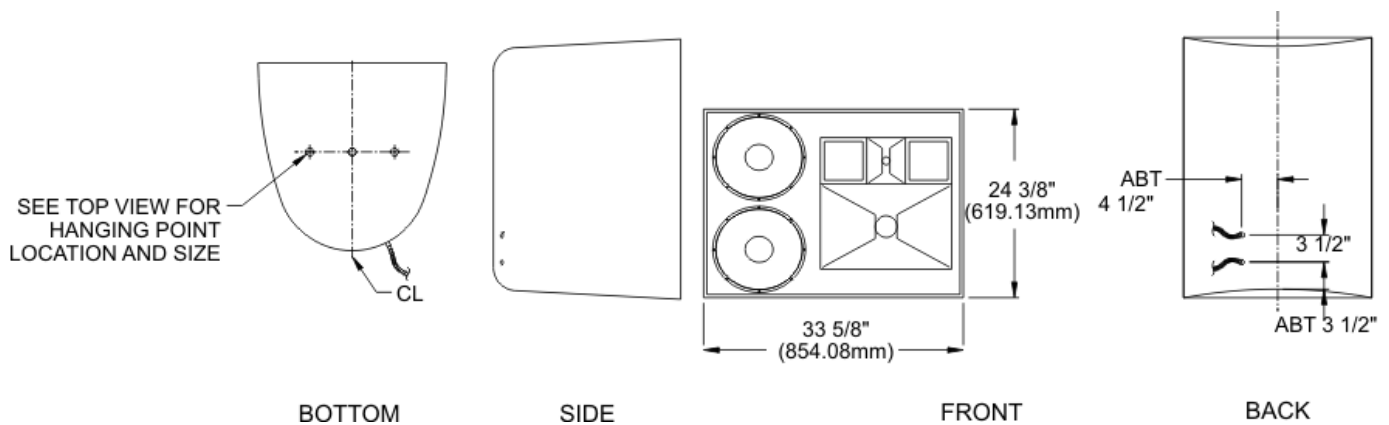
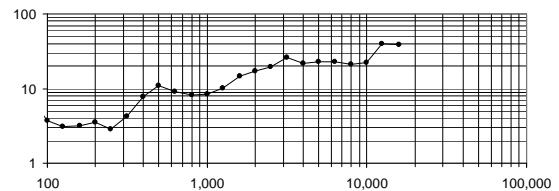
IMPEDANCE



BEAMWIDTH



AXIAL Q



Architects' and Engineers' Specifications

The loudspeaker shall be a three-way, weather-resistant design with two 12-inch carbon fiber cone woofers, one 2.8-inch exit low compression carbon fiber diaphragm midrange driver and a 1-inch exit non-metallic diaphragm HF driver. The drivers shall be mounted on a one-piece glass composite baffle. The system shall be a bi-amped three-way design with crossover frequency of 600 Hz / 3.5 kHz. The one-piece loudspeaker enclosure shall be constructed of hand-laminated, multi-layer glass composite with six integral 1/2-13 threaded mounting points. The system shall meet the following performance criteria: Amplitude response of 70 Hz to 15 kHz (± 3 dB), 400 watts RMS power handling LF, 160 W RMS MF/HF, 127 dB SPL sensitivity at 1 meter with 1 watt applied to the MF/HF unit. The nominal system impedance shall be 4 ohms LF, 4 ohms MF/HF. Nominal horn coverage pattern shall be 90° H x 40° V. Dimensions shall be 24.38 inches (619 mm) high, 33.63 inches (854.2 mm) wide, 24.25 inches (616 mm) deep with a weight of 108.1 lb (49 kg).

Community strives to improve its products on a continual basis. Specifications are therefore subject to change without notice.