



PROFESSIONAL LOUDSPEAKERS

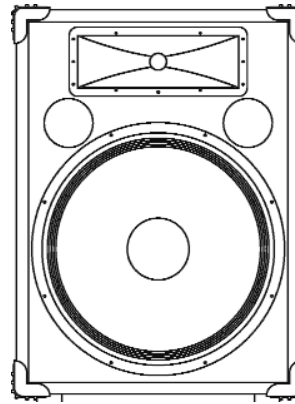
MVP Series II / MVP15

TWO-WAY TRAPEZOIDAL LOUDSPEAKER WITH 90° X 40° HF HORN

SPECIFICATIONS (See notes 1 and 2)

- Loudspeaker Type:** Two-way, full-range
- Operating Range:** 65 Hz - 16 kHz
70 Hz - 14 kHz (+/-6dB)
- Max Input Ratings:** 200W continuous, 500W Program
40 volts RMS, 89 volts momentary peak
- Recommended Power Amplifier:**
For maximum SPL: 400W to 600W @ 8 Ohms
- Sensitivity 1W/1m:**
95 dB SPL (50 Hz - 12.5 kHz 1/3 octave bands)
94 dB SPL (250 Hz - 4 kHz speech range)
- Maximum Output:** 118 dB SPL / 125 dB SPL (peak)
- Nominal Impedance:** 8 Ohms
- Min Impedance:** 3.9 Ohms @ 10830 Hz
- Nominal -6dB Beamwidth:**
90° H (+2° / -46°, 1 kHz - 12.5 kHz)
40° V (+58° / -14°, 1 kHz - 12.5 kHz)
- Axial Q / DI:** 14.6 / 11.6, 1 kHz - 12.5 kHz
- Crossover Frequency:** 2 kHz
- Recommended Signal Processing:** 65Hz high pass filter
- Drivers:** LF (1) 15"
HF (1) HF20 compression driver,
non-metallic diaphragm, Ferrofluid-cooled
- Driver Protection:** Dyna-Tech
- Input Connection:** (2) 1/4" jacks, (2) Locking Connectors
- Controls:** Mid-Range Boost Switch
- Enclosure:** MDF
- Enclosure Hardware:** (2) Recessed handles
(8) Interlocking corner protectors
(4) Rubber feet
- Mounting / Rigging Provisions:**
(1) 1-3/8" stand socket
(6) 5/16-18 hanging point inserts
- Grille:** 16 gauge perforated steel
- Required Accessories:** None
- Supplied Accessories:** None
- Optional Accessories:** Strapkit: (3) steel straps for suspending
WB1: (2) steel plate brackets
for wall mounting
- Dimensions:** Height: 23.8" / 606.5 mm
Width (front): 17.5" / 445 mm
Width (rear): 13.1" / 333 mm
Depth: 15" / 380 mm
- Weight:** 46 lb. / 21 kg
- Shipping Weight:** 55 lb. / 24.9 kg

1. Sensitivity: Free field pink noise measurement at 40 ft / 12.2 m at 50% power; extrapolated to 1 meter and an input of 2.83 volts RMS.
2. Watts: All wattage figures are calculated using the rated nominal impedance.



APPLICATIONS:

- SOUND REINFORCEMENT/PORTABLE PA
- CLUBS/DJ
- BANDS
- HOUSES OF WORSHIP
- PERMANENT INSTALLATION
- SPORT FACILITIES & HEALTH CLUBS
- RENTAL SYSTEMS
- KARAOKE

FEATURES:

- SIGNAL PRESENT LED
- THERMAL LINK HF DRIVER PROTECTION
- HF20 LOW MASS FERROFLUID-COOLED NON-METALLIC DIAPHRAGM
- HEAVILY BRACED MDF CONSTRUCTION
- TWO 1/4" INPUT CONNECTORS, AND TWO LOCKING CONNECTORS
- RECESSED HANDLES
- 16 GAUGE STEEL GRILLES
- MOUNTING/RIGGING POINTS (MUST USE STRAPKIT)
- MID-RANGE CONTOUR SWITCH

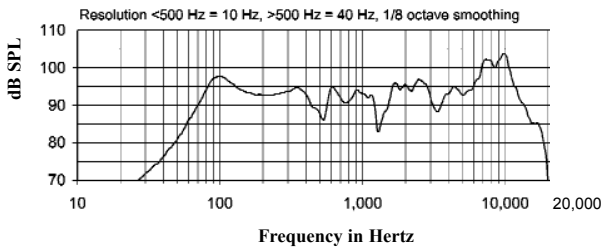
DESCRIPTION

The MVP15 is a rugged, high-efficiency, two-way, full-range loudspeaker system. The system utilizes one HF20 high-frequency driver coupled to a Pattern Control horn and one 15" woofer for high efficiency and excellent power handling capability. These components are matched to an optimally tuned direct radiating bass-reflex enclosure. The recessed handles, black carpeted exterior and injection molded corners also make this system attractive, rugged and easily transportable.

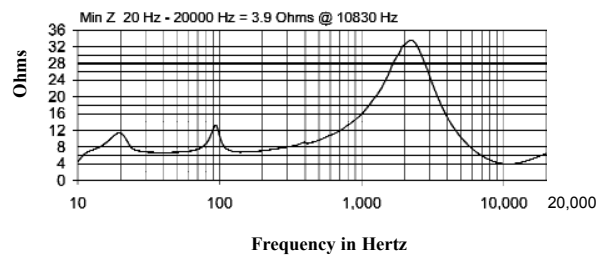
The MVP15 offers a robust internal crossover with Dyna-Tech Dynamic HF Driver Protection. The crossover is built to last with high quality inductors, precision wound coils and military grade circuit boards. The proprietary Thermal Link Dynamic HF Driver Protection circuit provides both over-current and thermal protection for added performance and reliability.

Designed as a stand-alone full-range loudspeaker system, the MVP15 offers enough bass for most applications. For more demanding applications, extended bass can be achieved by adding a MVP18S subwoofer. Mounting is easily accomplished utilizing the threaded inserts provided and optional mounting kits.

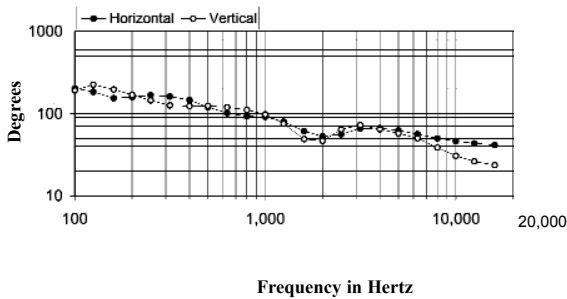
Frequency Response



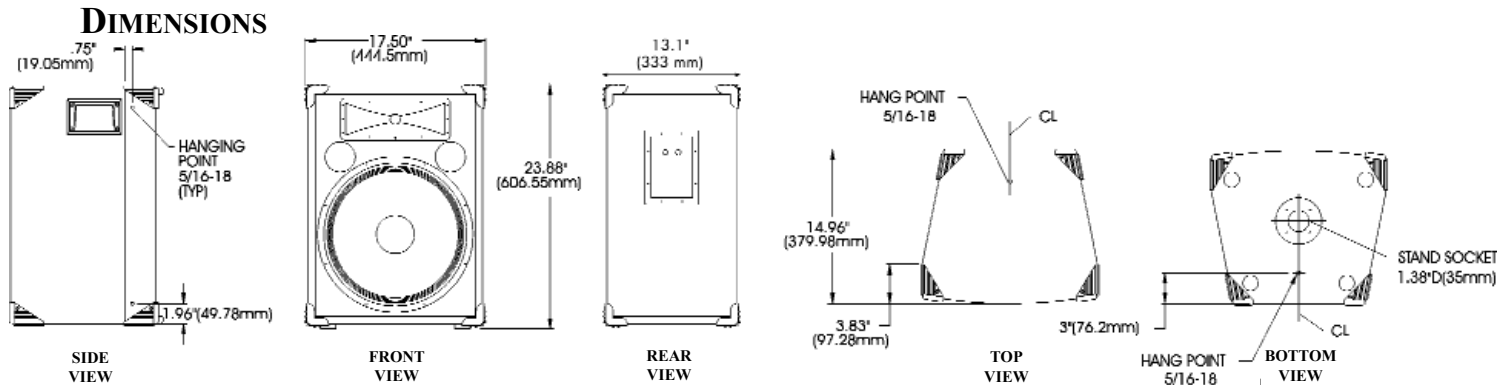
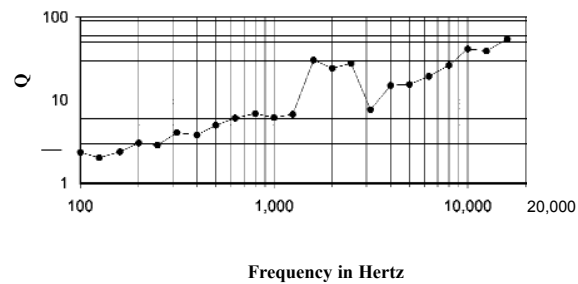
Impedance



Beamwidth



Axial Q



ARCHITECTS AND ENGINEERS SPECIFICATIONS

The loudspeaker system shall be a two-way, full-range bass reflex trapezoidal design with one 15" woofer and one 3/4" exit HF driver with a non-metallic diaphragm mounted to a 90° H x 40° V molded horn. Drivers shall be connected to an integral crossover with a crossover frequency of 2 kHz and a HF driver over-current and thermal protection circuitry. There shall be two 1/4" phone jacks and two locking connectors. The loudspeaker enclosure shall be black carpeted MDF construction with a 16 gauge perforated steel grille. The system shall have an amplitude response of 70 Hz to 14 kHz (+/- 3.6 dB), input capability of 40V RMS, 95 dB sensitivity at one meter and 2.83 V/8 ohms nominal impedance. The nominal dispersion shall be 90° H x 40° V from 1 kHz to 12.5 kHz. The loudspeaker shall be 23.8" (606.5 mm) H x 17.5" (445 mm) W (front) x 13.1" / 333 mm W (rear) x 15" (380 mm) D and weigh 46 lbs (21 kg).

LIMITED WARRANTY

Community MVP loudspeakers are guaranteed to be free from defects in materials and workmanship from the original date of sale for a period of five years in the U.S.A and worldwide. This warranty is automatically transferable to any and all owners during the specified period. For complete warranty information, consult the product owners manual or call (610) 876-3400 for a copy.