



Caution: Installation of loudspeakers should only be performed by trained and qualified personnel. It is strongly recommended that a licensed and certified professional structural engineer approve the mounting design.

WAIVER OF LIABILITY:

Whenever Community Light and Sound, Inc. (CLS), dba Community Professional Loudspeakers is requested to provide advice or material regarding the design or installation of its equipment such advice or material is intended and provided for information purposes only. The advice or material is only intended to familiarize the user with various options for design, coverage and installation. User expressly agrees that CLS shall not be liable for any damages, whether in tort, contract, strict liability or otherwise consequential, incidental or otherwise to person or property as a result, directly or indirectly, of the use of any advice or material. The user of any advice or material provided by CLS assumes all risk and liability for the use thereof. Without limitation to the above, CLS does not accept liability or responsibility for the performance of any manufacturer, design, method, use, material or technique employed by the acoustic designer and/or installation company. All advice, information or material is subject to field variations and environmental conditions. All advice, information, or material given is offered on the assumption that common or standard practices for installation used in the construction trades is applied to all phases of the user's project. Actual assembly or configuration must be performed only by persons with knowledge of mechanical trades and rigging, where applicable. Any installation method must be certified by a Professional Engineer licensed in the state in which assembly or configuration is located.



Community Professional Loudspeakers
333 East Fifth Street, Chester, PA 19013 USA
Phone (610) 876-3400 | Fax (610) 874-0190
www.communitypro.com

E200-UMK IG 20120517



E200-UMK

ENTASYS 200 Universal Mounting Kit

Universal Mounting Kit for Community ENTASYS 200 Series Loudspeakers

The E200-UMK is a rugged bracket that can be used with ENTASYS 200 Series column loudspeakers. The bracket is designed to flush mount a single enclosure tightly against a wall or ceiling, or to accommodate third-party mounting brackets. Designated the **E200-UMKB** (black) or **E200-UMKW** (white), the kit is available for use with Community models **ENT203**, **ENT206**, **ENT212** and **ENT220**. Typically, use one E200-UMK bracket per loudspeaker.

When attaching the E200-UMK bracket to the loudspeaker, tighten all fasteners firmly, but do not over-tighten to avoid stripping the threads. Always use the safety attachment point at the top of the loudspeaker enclosure for a safety cable (not intended as a primary suspension point). The E200-UMK is pre-drilled with standard spacings to accommodate third-party 30lb or 60lb working load mounting brackets.

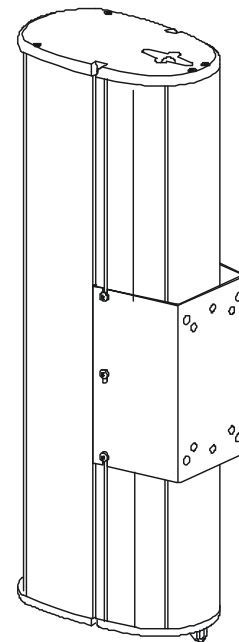
All parts in the kit are engineered to provide a high margin of safety for mounting and suspending ENTASYS 200 Series loudspeakers. The brackets are manufactured of steel and covered with a durable dual layer powder-coat finish. Kits are available in either black or white to match the color of the enclosures.

The E200-UMK bracket is provided with the hardware required to attach it to the loudspeaker enclosure. No additional hardware is provided to attach the bracket to the mounting surface. No hardware is provided to attach suspension cables to the bracket. Such hardware must be supplied by the installer and should be sized and rated for the weight load of the loudspeaker. The installer is solely responsible for determining if the mounting surface is capable of safely supporting the weight load of the loudspeaker, and for selecting appropriate hardware to install it. The installer is solely responsible for determining if all rigging components that are used to suspend the enclosures are adequately sized and rated, and if the structure they are suspended from is capable of safely supporting the aggregate weight load.

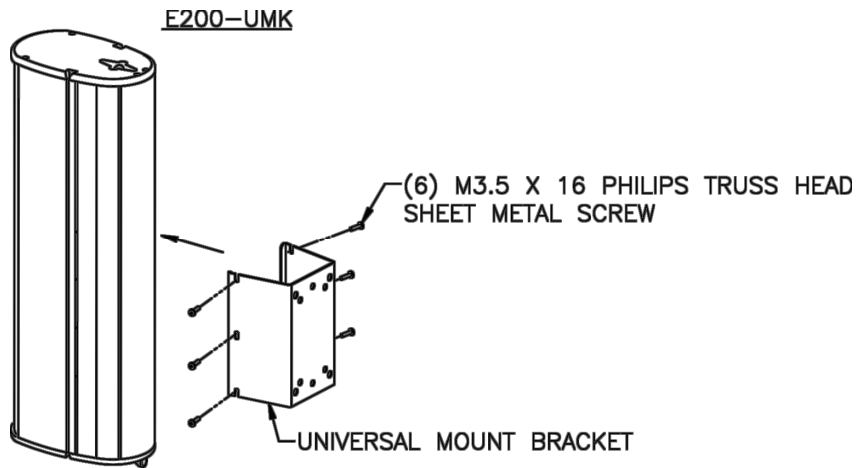
E200-UMK Parts List

Universal Mount Bracket (1)
M3.5 x 16 Philips Truss Head Sheet Metal Screws (6)

The installer must supply all other hardware for the installation.



E200-UMK Assembly

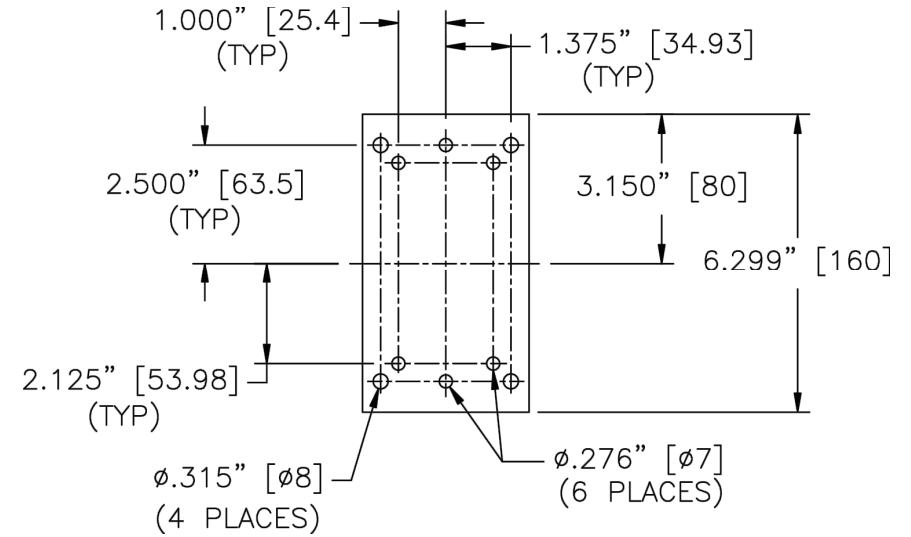


E200-UMK Flush Mounting Assembly Instructions

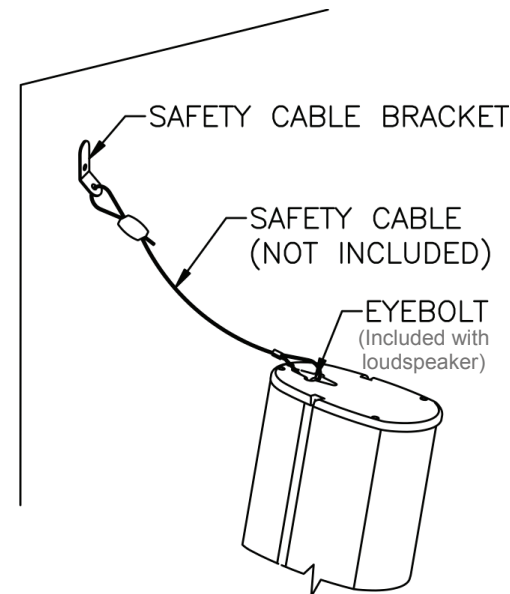
1. Attach the Universal Mount Bracket to the mounting surface. Note: wall mount fasteners are not included as mounting requirements may vary significantly from one type of wall surface to another.
2. Install two (2) 3.5 x 16mm Philips truss-head deep thread screws into the reinforced slot in the enclosure, one on each side of the loudspeaker enclosure. Note: These will be the screws at the top of the bracket. Slide the loudspeaker enclosure into the top of the bracket until the two screws rest in the bracket slots.
3. Tighten the two top screws. Install and tighten four (4) additional 3.5 x 16mm Philips truss-head deep thread screws through the other slots of the bracket into the reinforced slot in the enclosure. Note: Pilot holes are factory-suggested mounting positions but the bracket may be mounted at any position along the length of the column as needed to suit a particular installation.

E200-UMK Bolt Pattern

The E200-UMK is pre-drilled to accommodate third-party mounting products. See bolt pattern below.



Attaching the Safety Cable



When mounting an ENTASYS 200 loudspeaker, always attach the safety point at the top of the enclosure to the **safety cable support bracket** (included). Note that the **safety cable** is NOT included, as the user must determine the appropriate length and location for the safety cable based on each individual installation. The safety cable must be of sufficient strength to suspend the loudspeaker in the event that the primary mounting bracket should fail. After final positioning of the loudspeaker, make sure to remove as much slack as possible from the safety cable to minimize shock load in the event of bracket failure.