

SPECIFICATIONS (See notes 1 and 2)

Loudspeaker Type: 2-way, full-range
Operating Range: 45 Hz - 16 kHz
 80 Hz - 16 kHz (+/- 4 dB)

Max Input Ratings:

300W continuous, 750W Program
 40 volts RMS, 89 volts momentary peak

Recommended Power Amplifier:

830W to 1200W @ 4 Ohms

Sensitivity 1W/1m:

97 dB SPL (100 Hz - 13 kHz 1/3 octave bands)
 97 dB SPL (250 Hz - 4 kHz speech range)

Maximum Output: 123 dB SPL / 130 dB SPL (peak)

Nominal Impedance: 4 Ohms

Min Impedance: 3.2 Ohms @ 40 Hz

Nominal -6dB Beamwidth:

90° H (+13° / -19°, 2 kHz - 12.5 kHz)
 40° V (+14° / -14°, 2 kHz - 12.5 kHz)

Axial Q / DI: 20.1 / 13, 1 kHz - 12.5 kHz

Crossover Frequency: 2 kHz

Recommended Signal Processing:

60 Hz high pass filter

Drivers: LF (2) 12" woofer

HF (1) 1" exit, titanium free, Ferrofluid-cooled

Driver Protection: IntelliSense™

Input Connection: (2) Locking connectors
 (compatible with Speakon™ NL4)
 (2) 1/4" jacks

Controls: Biamp / passive boost/cut

Enclosure: 7-ply pine plywood

Enclosure Hardware: (2) Handles

Mounting / Rigging Provisions: (1) 1-3/8" stand socket

Grille: 16 gauge perforated steel, black powder coated

Required Accessories: None

Supplied Accessories: None

Optional Accessories:

STRAPKIT: (3) steel straps for suspending

DSC52: digital speaker controller

Mounting poles available for mounting on Tandem Subwoofer

Dimensions:

Height: 25.478" / 647.1 mm

Width: 13.900" / 353.1 mm

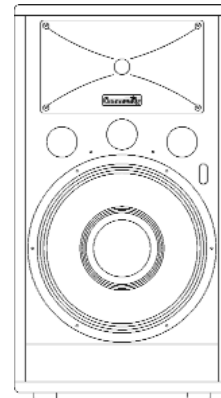
Depth: 17.636" / 448 mm

Weight: 49 lb. / 22.2 kg

Shipping Weight: 60 lb. / 27.2 kg

1. Sensitivity: Free field pink noise measurement at 40 ft / 12.2 m at 60% power; extrapolated to 1 meter and an input voltage of 2 volts RMS.

2. Watts: All wattage figures are calculated using the rated nominal impedance.

**APPLICATIONS:**

- Club Sound Systems
- Mobile and Installed DJ Rigs
- Regional Event Public Address
- Live Tour Reinforcement
- Theater Stage Systems

FEATURES:

- Compact Full-range Design with Exceptional LF Capacity
- Two Patented Cool-Coil™ LF Speakers for High Level Low Distortion LF Response
- IntelliSense Multi-Stage Protection Circuitry for Worry-Free Operation
- High Strength Construction Using Low Weight Plywood
- Total Protection Tuf Coat™ Exterior Resists Scratches and Dings
- Cup Handles, 4 Rigging Points and Stand Mount
- Matching Dual 18" and Dual 15" Subwoofers Available

DESCRIPTION

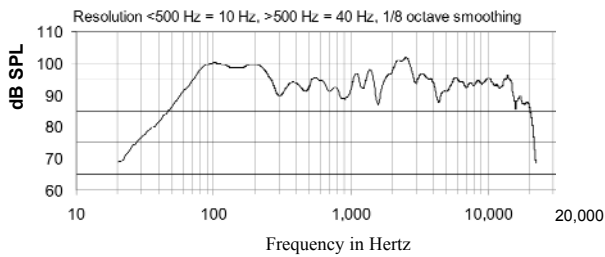
The TD2212 is an exceptional 12" 2-way loudspeaker system delivering all of the features required by today's demanding music scene. Predictable high level low distortion operation, multi-stage protection circuitry, remarkable low frequency response - all in a compact, well braced light weight cabinet clad in a high impact exterior finish. The TD2212 features two of Community's patented Cool Coil™ 12" speakers, cleverly designed to draw destructive heat away from the voice coil, thus assuring extended high level operation.

Cup handles are provided for easy portability, a built-in stand socket, and four rigging points further enhance the versatility of this system.

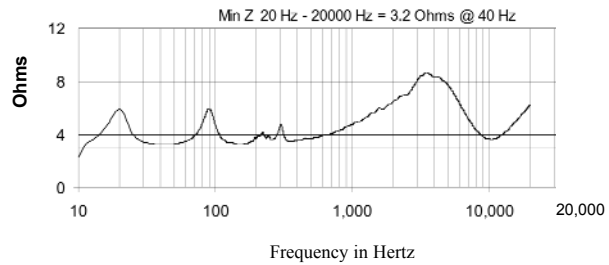
Each loudspeaker is backed by Community's Five-Year Warranty.

TWO-WAY, DUAL LF DRIVER FULL RANGE LOUDSPEAKER

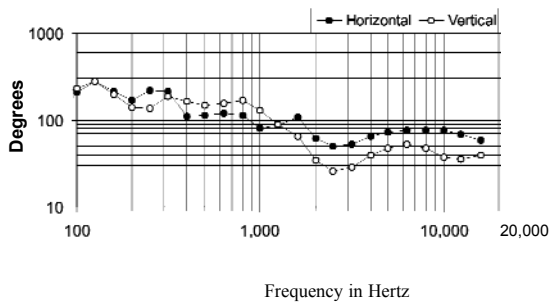
Frequency Response



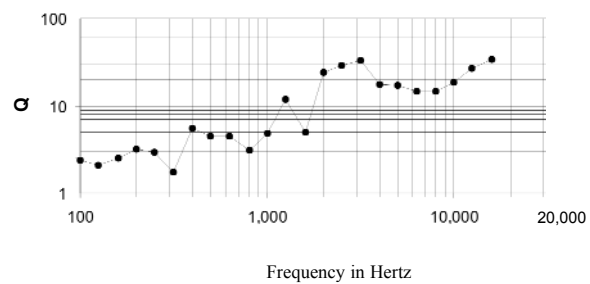
Impedance



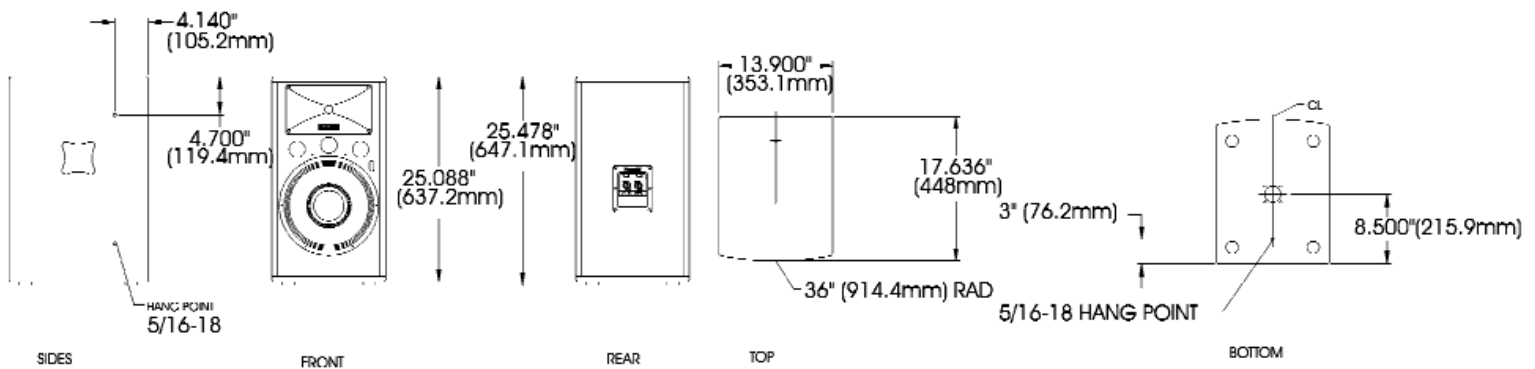
Beamwidth



Axial Q



DIMENSIONS



ARCHITECTS AND ENGINEERS SPECIFICATIONS

The loudspeaker system shall be a horn-loaded, two-way, full-range design consisting of two 12" drivers and one Ferrofluid-cooled compression driver mounted on a horn. The drivers shall be connected to a passive crossover network with a crossover frequency at 2 kHz, with driver protection using high positive current coefficient resistors. The cabinet shall be a 7-ply pine enclosure with a 16 gauge perforated steel grill. The input connections shall be two ¼" jacks, and two locking NL4 type jacks. The system shall incorporate biamp/passive and HF boost controls for flexible operation. The enclosure shall incorporate one 1-3/8" stand socket for pole mounting. The loudspeaker system shall have an amplitude response of 80-16 kHz (+/- 4 dB SPL), an input capacity of 40V RMS, 97 dB SPL sensitivity @ 2.83V / 1 meter between 100-13 kHz at a nominal 4 Ohm impedance. The nominal dispersion shall be 90° x 40° over a frequency range of 2 kHz to 12.5 kHz. The dimensions of the enclosure are defined as 25.478" x 13.9" x 17.636" (HWD) at a weight of 49 lbs.